

**LIGHT LINE IN ANY PLACE**



Ceiling installation, possibility to create a light line in any part of the ceiling, the profile acts as a separator



Vertical wall installation, possibility to create a light line anywhere on the wall

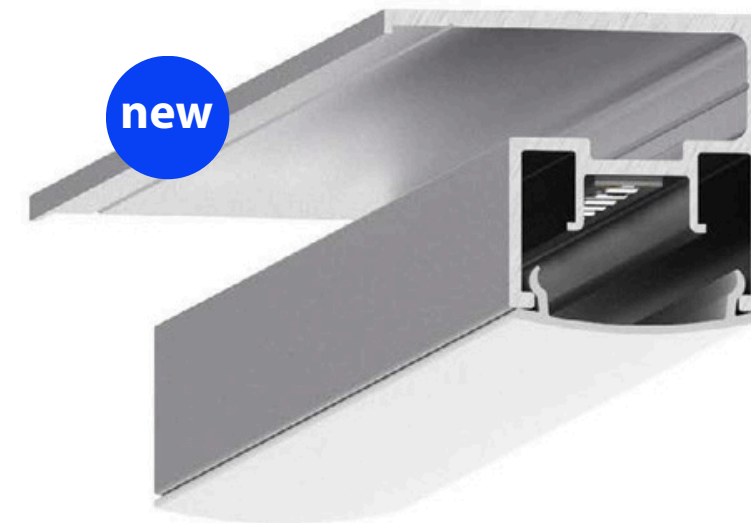
**CREATING PANELS WITH BORDER**



Ceiling installation, possibility to create a panel with perimeter light line



Vertical wall installation, possibility to create a thin wall panel with a perimeter light line



**AL 20 Crown Light**

Enhanced functional lighting profile that can be mounted on both the ceiling and the walls to create a perfectly diffused contour line of perimeter lighting. This profile can also be used as a separator and can be combined with other Vecta basic profiles (AL 04 or AL 05) to create light lines in any part of the ceiling. The VEC 4 light diffuser distributes the light from the LED strips evenly and homogeneously.

**ADVANTAGES**

- Improved AL 20 is stronger It is versatile and can be installed anywhere in the ceiling or on the wall Is used with VEC 4 diffuser Has a recessed spot for the LED strip, which makes the light more diffused and eliminates shadows Acts as a separator The light line can end anywhere on the plane

**OBJECTS DONE WITH THIS PROFILE**

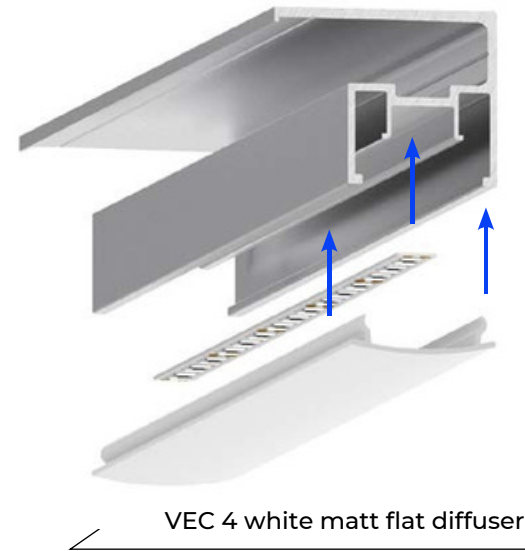
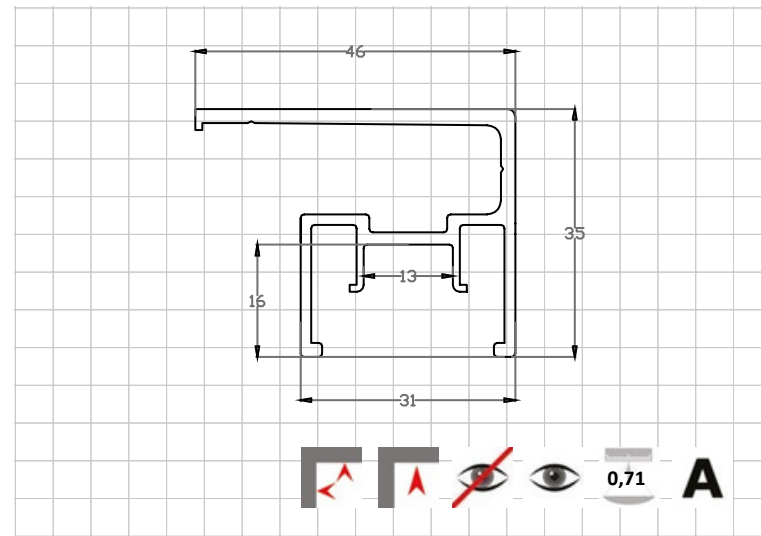


**Commercial Pan'e Dolci bakery**  
USA (Florida) / Miami  
Installer: Khrome Concepts Inc.

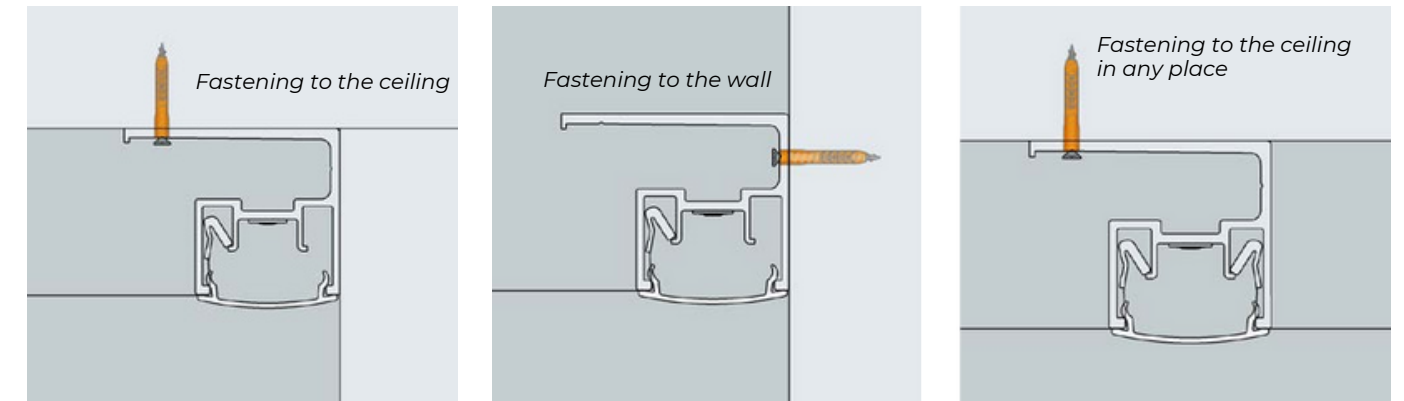


**Vecta Design office**  
Estonia / Pärnu  
Installer: Vecta Design

## PROFILE REAL-SIZE DIMENSIONS

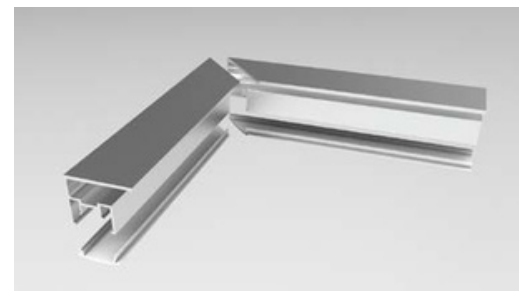


## MOUNTING VARIANTS



## DESCRIPTION

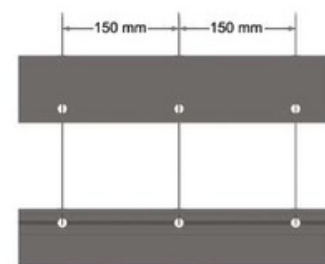
AL 20 aluminum profile CROWN LIGHT system can be fixed on the walls or on the ceilings for creating perfectly straight cornice lighting around the perimeter of the room or any other built in design element. The most evenly scattered light will appear when using LED lights LR 57. For creating corners (for example at an angle of 90 degrees) the profile needs to be cut in precise angle of 45 degrees in Vecta Design factory.



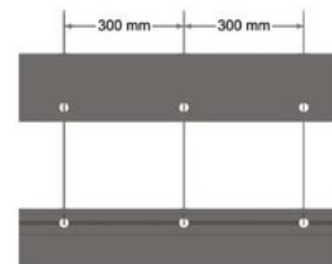
Creating corners with this profile means that the profile will be cut in precisely 45-degree angle in our production factory.

## FIXING PROFILE

Recommended screw fixing centers for the AL-20 profile are 300 mm for concrete surfaces and 150 mm for gypsum boards. Drill size – 6mm diameter.

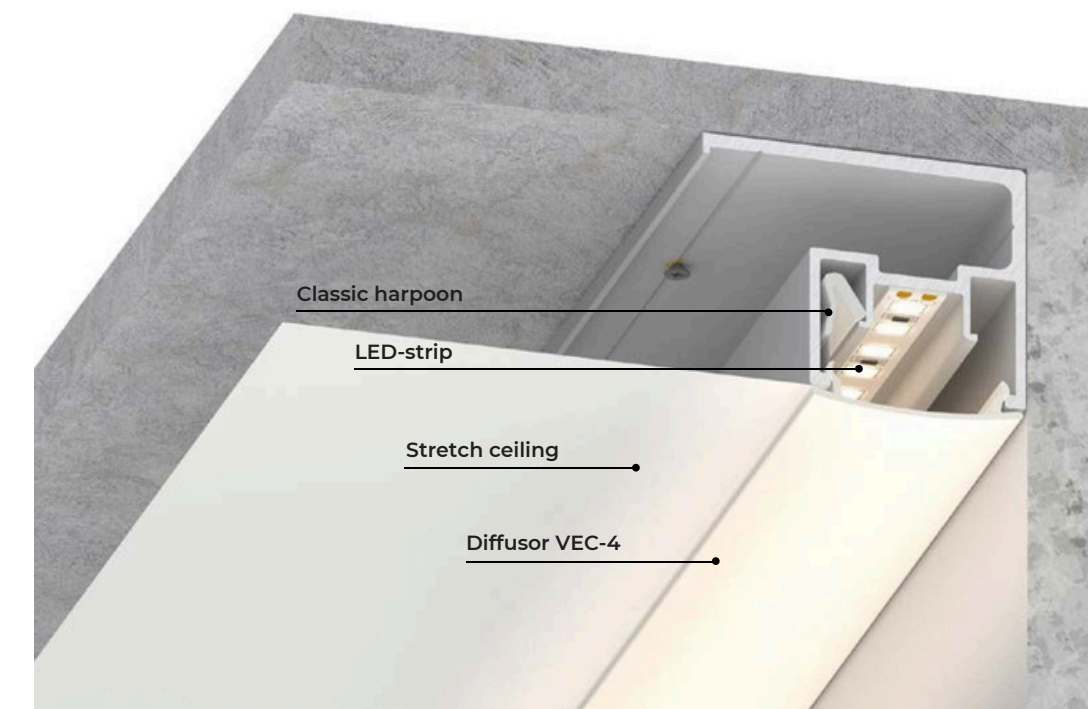


For gypsum surfaces



For concrete surfaces

## PERIMETER LIGHT LINE



Ceiling wall installation, light line around the perimeter of the ceiling, minimal height loss (35 mm) from the main ceiling



Wall installation at any level from the ceiling